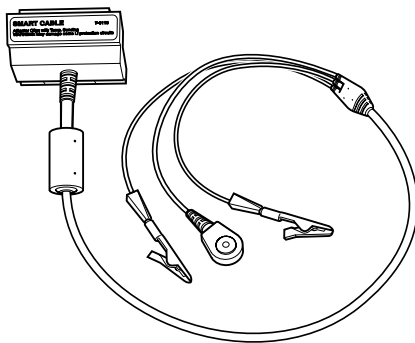




Universal Battery Adapter

The Cadex Universal Battery Adapters (UBA) offer service centers and engineering labs a cost-effective alternative to custom battery adapters. Snapped into the Cadex 7000 series battery analyzers, the Cadex UBA provides easy interface to diverse battery types. We offer three styles, each serving a unique battery group.

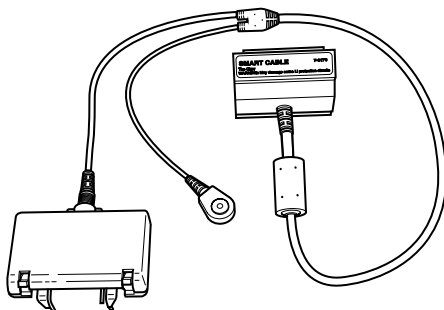
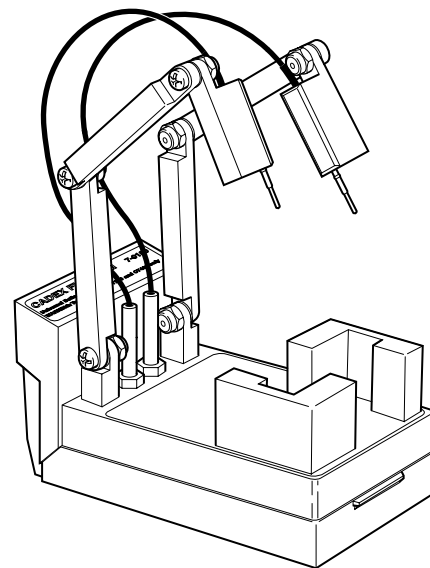


Cadex Smart Cables Part Number 7-0115

← Battery cables with alligator clips provide easy connection to larger batteries. Ideal for batteries with exposed tabs or special terminals. The insulated alligators connect by banana plugs. Magnetized temperature sensor monitors the battery temperature.

Cadex FlexArm Part Number 7-0180

Most versatile design. Contacts on flexible arms reach narrow and awkwardly placed contacts. Magnetic guides on insulated steel floor keep the battery in any position. Banana plugs enable polarity selection and provide connection to batteries with a plug rather than flat contacts (custom cable not included). Spring-loaded temperature sensor in floor monitors the battery temperature. The Pogo contacts in the arms are gold plated and field replaceable. Self-locking hardware allows adjustments of desired tension in the wrist, elbow and shoulder joints.



Cadex Claw Adapter Part Number 7-0170



Well suited for batteries with flat terminals. The Claw contacts are horizontally adjustable to suit a wide range of battery designs. A magnet adheres the adapter to the battery. Magnetized temperature sensor monitors the battery temperature.